

# Data sheet - series D - DIN



## **PRODUCT SPECIFICATION**

SK H2O protec expansion waterstop series D according to DIN 18541, part 1 and 2, is a permanently flexible sealing profile with middle tube made of thermoplastic polymer, PVC-P or PVC-NBR, that is used to seal expansion joints in waterproof concrete structures with high water pressures.

## **Characteristics / Advantages**

- high tensile strength and elongation at break
- high permanent flexibility and high-load bearing capacity
- suitable for water pressure and large settlements
- resistant to all natural media acting aggressively to concrete (if applicable)
- resistant to a wide range of chemical substances (tests required for each additional specific situation)
- standard resistant
- supply of systems for easy handling on site
- weldable by using butt joints on site

## **Application**

- joint sealing in concrete structures
- expansion joint sealing system for in-situ concrete

### Typical structures

- commercial buildings, cellars, underground car parks

# Data sheet - series D - DIN



## **Standards / Directives**

- DIN 18197
- DIN 18541, part 1 and 2
- WU- Directives DAfStb
- Welding instructions

## **Test certificate / Approvals**

- latest manufacturer's test certificate
- certificate of conformity - DIN 18541
- external monitoring by MPA NRW
- internal monitoring

## **PRODUCT DATA**

### **Material**

- PVC-P (Polyvinyl chloride with plasticizer / P: plasticized)
- PVC-NBR (Polyvinyl chloride - Nitrile butadiene rubber)

### **Colour**

- black

### **Packaging**

- supplied as standard rolls (25 m), pre-cuts and systems

# Data sheet - series D - DIN



---

## MECHANICAL PROPERTIES according to DIN 18541, part 2

---

<b>Shore A hardness</b>	$67 \pm 5$
-------------------------	------------

---

<b>Tensile strength</b>	$\geq 10$ MPa
-------------------------	---------------

---

<b>Elongation at break</b>	$\geq 350$ %
----------------------------	--------------

---

<b>Tear propagation resistance</b>	$\geq 12$ kN/m
------------------------------------	----------------

---

<b>Low temperature performance</b>	Elongation at break at $-20^{\circ}\text{C} \geq 200\%$
------------------------------------	---

---

<b>Performance after weathering</b>	Tensile strength $\leq 20\%$ Elongation at break $\leq 20\%$ Modulus of elasticity $\leq 50\%$
-------------------------------------	--

valid change of average values relative to the initial value

---

<b>Performance of the weld at shear test short-term joining factor fz</b>	break outside of weld $\geq 0,6$
---	----------------------------------

---

<b>Fire behaviour</b>	class E
-----------------------	---------

---

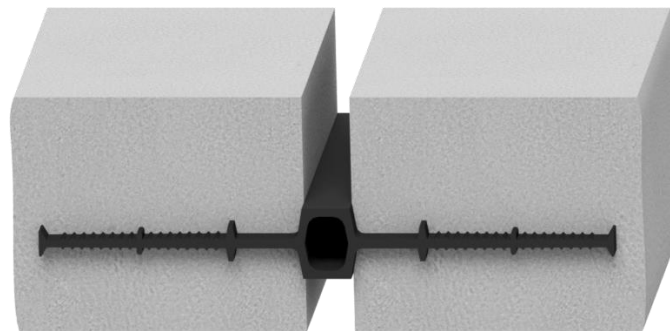
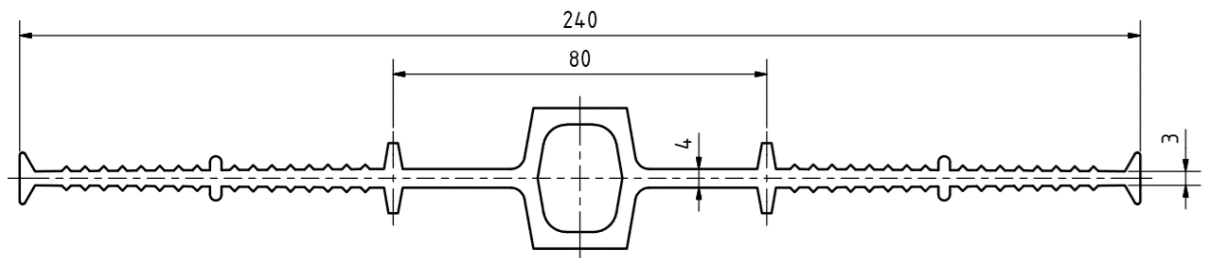
<b>Performance after storage in bitumen</b>	Tensile strength $< 20\%$ Elongation at break $< 20\%$ Modulus of elasticity $< 50\%$
---	---

---

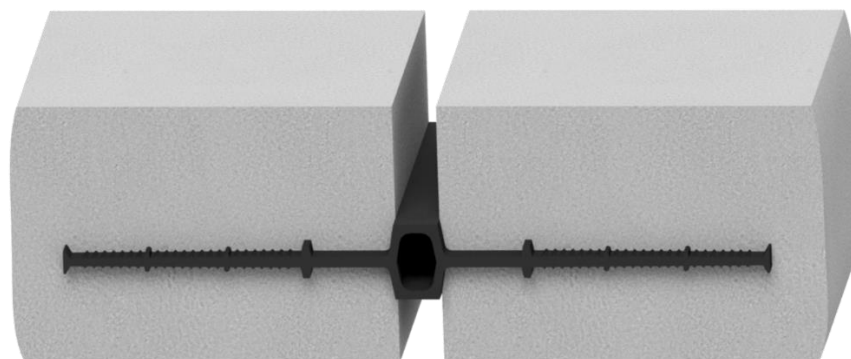
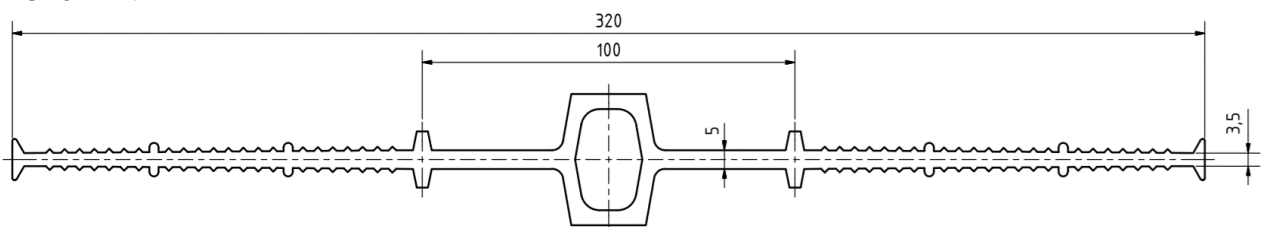
# Data sheet - series D - DIN



## D 240 DIN



## D 320 DIN



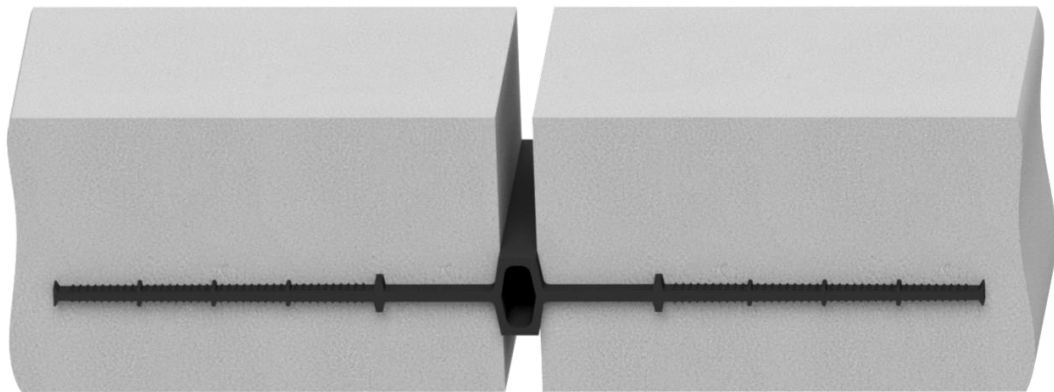
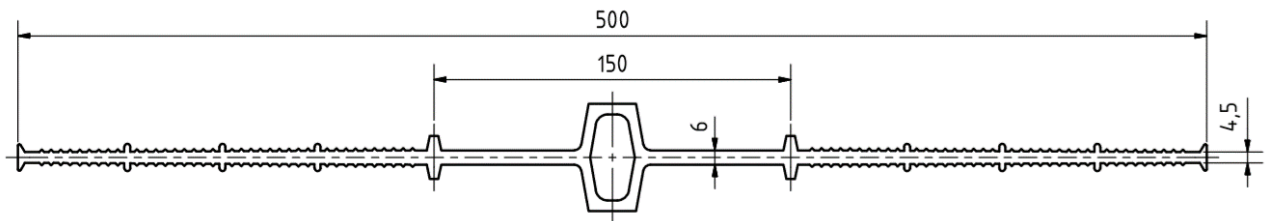
All dimensions in mm

- D 240 DIN & D 320 DIN according to DIN 18541, part 1 and 2

# Data sheet - series D - DIN



D 500 DIN



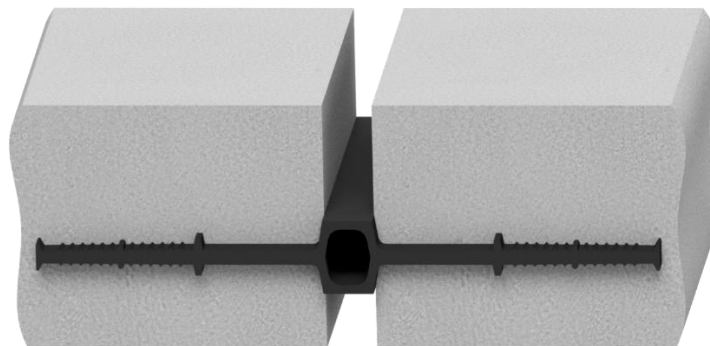
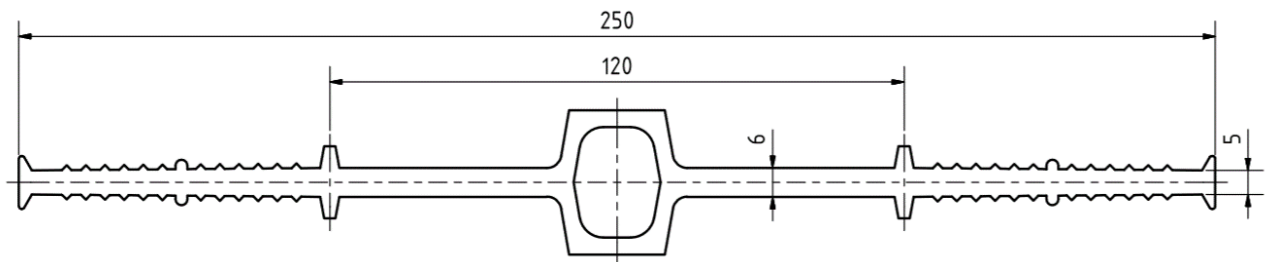
All dimensions in mm

- D 500 DIN according to DIN 18541, part 1 and 2

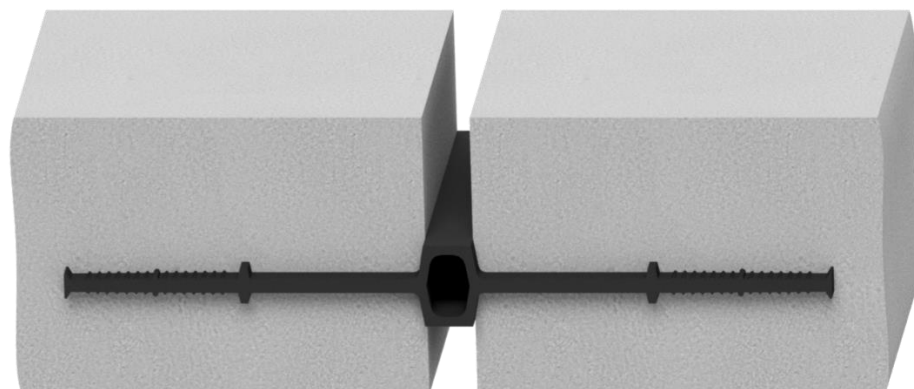
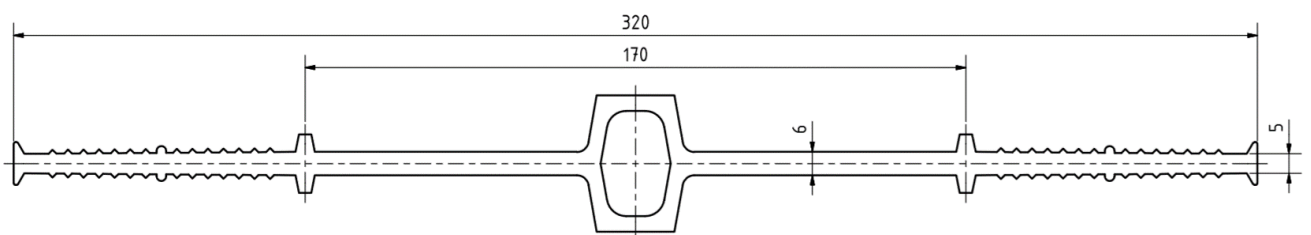
# Data sheet - series D - DIN



D 240/6 DIN



D 320/6 DIN



All dimensions in mm

- D 240/6 DIN & D 320/6 DIN according to DIN 18541, part 2