

Data sheet - series AM corners A & W



PRODUCT SPECIFICATION

SK H2O protec expansion waterstop series AM corners A & W according to DIN 7865, part 1 and 2 is a permanently flexible profile with middle tube made of elastomer, SBR or EPDM, that is used to seal construction joints in waterproof concrete structures with high water pressures.

Characteristics / Advantages

- high tensile strength and elongation at break
- high permanent flexibility and high-load bearing capacity
- suitable for water pressure and large settlements
- resistant to all natural media acting aggressively to concrete
- resistant to a wide range of chemical substances (tests required for each additional specific situation)
- resistant to bitumen
- supply of systems for easy handling on site
- vulcanizable by using butt joints on site

Application

- joint sealing in concrete structures
- expansion joint sealing system for in-situ concrete

Typical structures

- commercial buildings, cellars, bridges, trough and bridge constructions
- rail tunnels and road tunnels
- water construction plants

Data sheet - series AM corners A & W



Standards / Directives

- DIN 18197
- DIN 7865, part 2
- WU-Directives DAfStb
- ZTV-ING, Riz-Ing
- Vulcanizing instructions

Test certificate / Approvals

- latest manufacturer's test certificate
- certificate of conformity - DIN 7865
- external monitoring by MPA NRW
- internal monitoring

PRODUCT DATA

Material

- SBR elastomer (styrene butadiene rubber)
- EPDM elastomer (ethylene-propylene-diene monomer)

Colour

- black

Packaging

- supplied as standard rolls (25 m), pre-cut parts and systems

Data sheet - series AM corners A & W



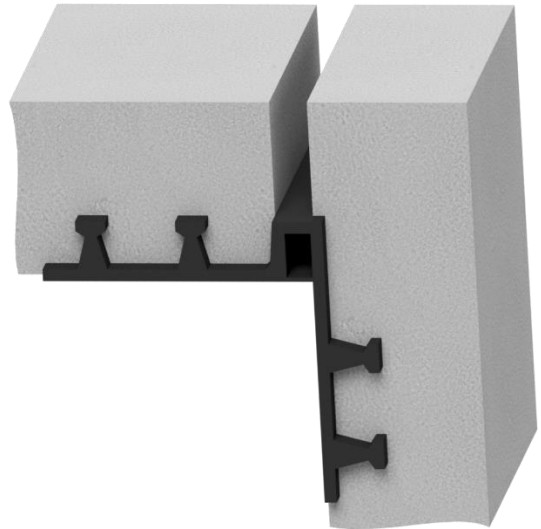
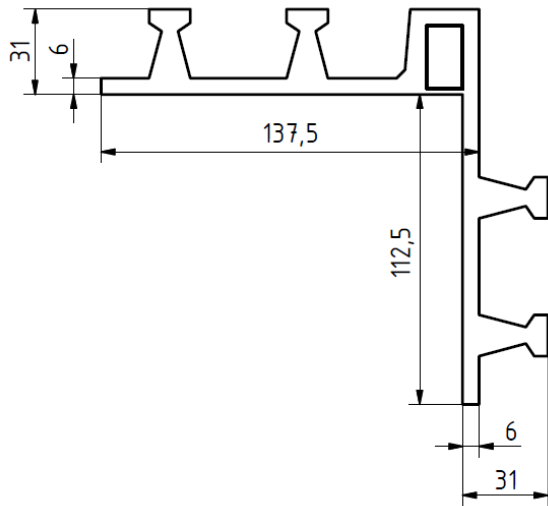
MECHANICAL PROPERTIES according to DIN 7865, Part 2

Shore A hardness	62 ± 5
Tear strength	≥ 10 MPa
Elongation at break	≥ 380 %
Compression set	168h / 23°C ≤ 20% 24h / 70°C ≤ 35%
Tear propagation resistance	≥ 8 kN/m
Performance after heat ageing	Shore A hardness change ≤ 8 Tear strength ≥ 9 MPa Elongation at break ≥ 300%
Low temperature performance	≤ 90 Shore A
Tension set	≤ 20%
Performance after conditioning in hot bitumen	Residual deformation < 20% Tear strength ≥ 7 MPa Elongation at break ≥ 300%
Performance after ozone ageing	No cracks

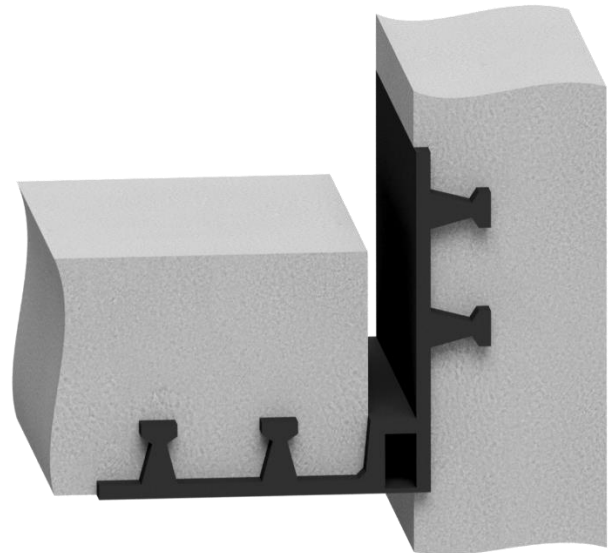
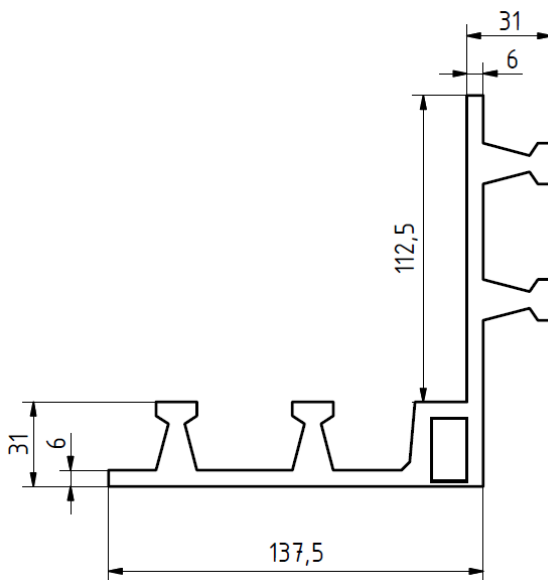
Data sheet - series AM corners A & W



AM 250 Ecke A



AM 250 Ecke W

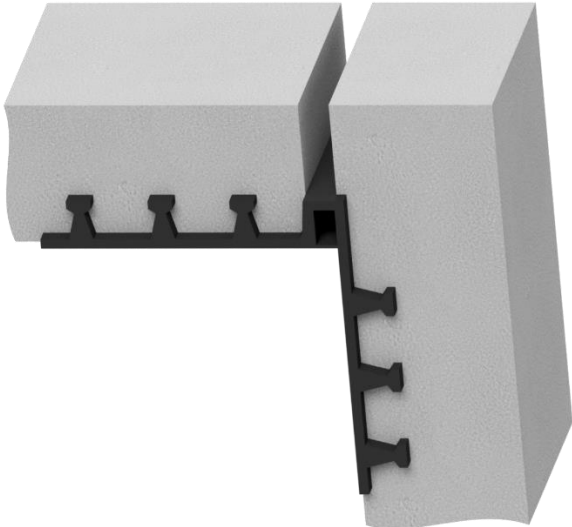
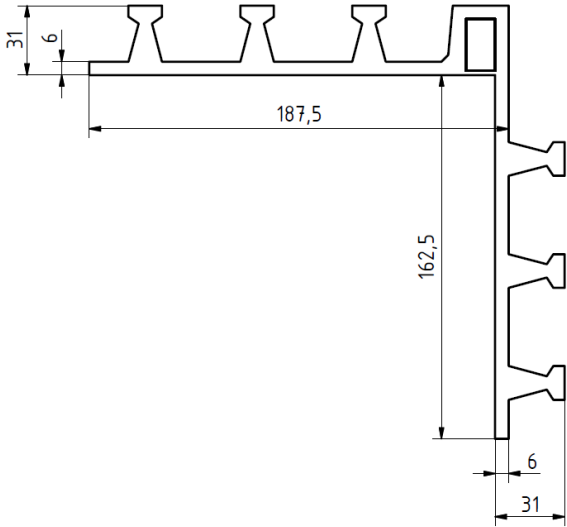


All dimensions in mm

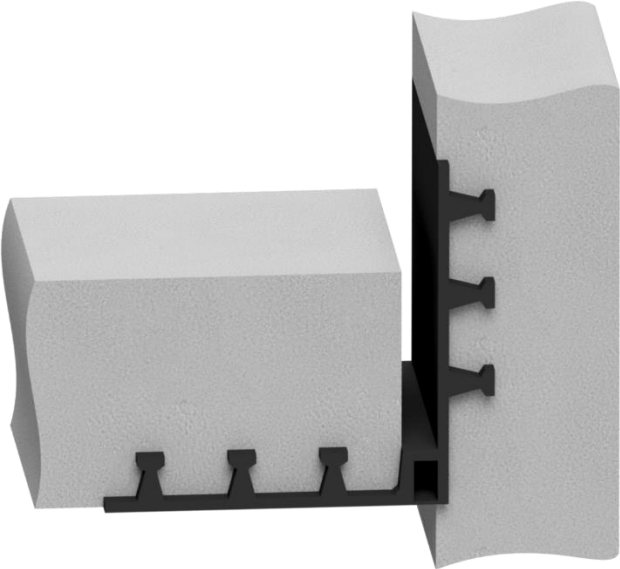
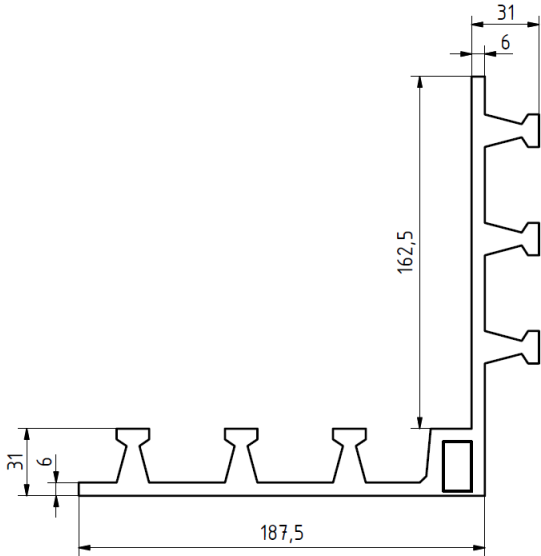
Data sheet - series AM corners A & W



AM 350 Ecke A



AM 350 Ecke W



All dimensions in mm