

# Data sheet - series FAE



## **PRODUCT SPECIFICATION**

SK H2O protec cap seal waterstop type FAE is a permanently flexible profile made of elastomer, EPDM, providing protection against dirt and maintaining the function of expansion joints in waterproof concrete structures with large movements and high water pressures.

## **Characteristics / Advantages**

- high tensile strength and elongation at break
- high permanent flexibility and high-load bearing capacity
- suitable for water pressure and large settlements
- resistant to all natural media acting aggressively to concrete
- resistant to a wide range of chemical substances (tests required for each additional specific situation)
- resistant to bitumen
- supply of systems for easy handling on site
- vulcanizable by using butt joints on site

## **Application**

- joint sealing in concrete constructions
- expansion joint sealing systems for in-situ concrete

### Typical structures

- underground car parks, bridges, trough and bridge structures
- rail tunnels and road tunnels
- water construction plants

# Data sheet - series FAE



## **Standard / Directives**

- DIN 18197
- DIN 7865, part 2
- WU-Directives DAfStb
- ZTV-ING, Riz-Ing
- Vulcanizing instructions

## **Test certificate / Approvals**

- latest manufacturer's certificate
- certificate of conformity - DIN 7865
- external monitoring by MPA NRW
- internal monitoring

## **PRODUCT DATA**

### **Material**

- EPDM elastomer (ethylene-propylene-diene monomer)

### **Colour**

- black with grey visible surface

### **Packaging**

- supplied as standard rolls (25 m)

# Data sheet - series FAE



---

## MECHANICAL PROPERTIES according to DIN 7865, part 2

---

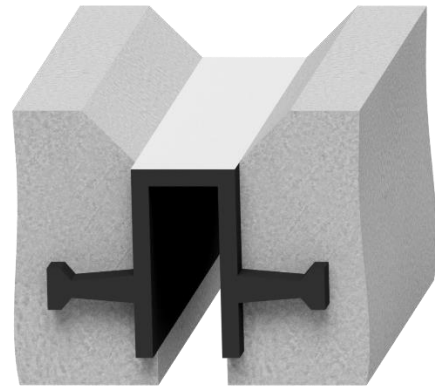
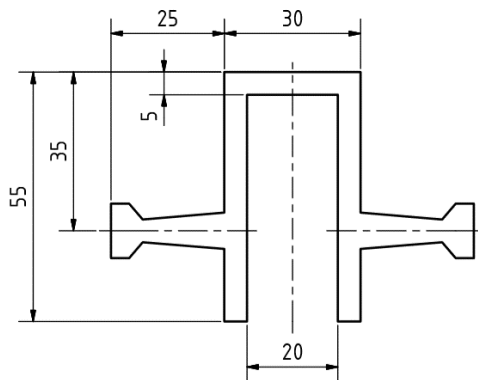
<b>Shore A hardness</b>	$62 \pm 5$
<b>Tear strength</b>	$\geq 10$ MPa
<b>Elongation at break</b>	$\geq 380$ %
<b>Compression set</b>	168h / 23°C $\leq 20\%$ 24h / 70°C $\leq 35\%$
<b>Tear propagation resistance</b>	$\geq 8$ kN/m
<b>Performance after heat ageing</b>	Change in Shore A hardness $\leq 8$ Tear strength $\geq 9$ MPa Elongation at break $\geq 300\%$
<b>Low temperature performance</b>	$\leq 90$ Shore A
<b>Tension set</b>	$\leq 20\%$
<b>Performance after conditioning in hot bitumen</b>	Residual deformation $< 20\%$ Tear strength $\geq 7$ MPa Elongation at break $\geq 300\%$
<b>Performance after ozone ageing</b>	No cracks

---

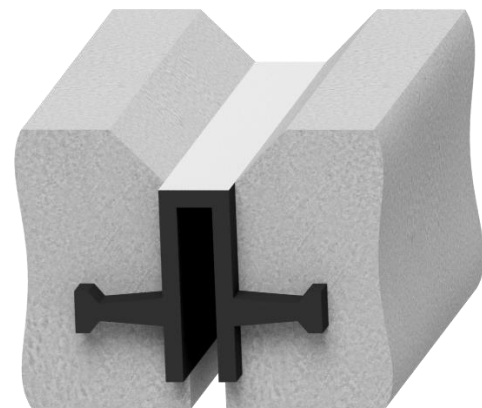
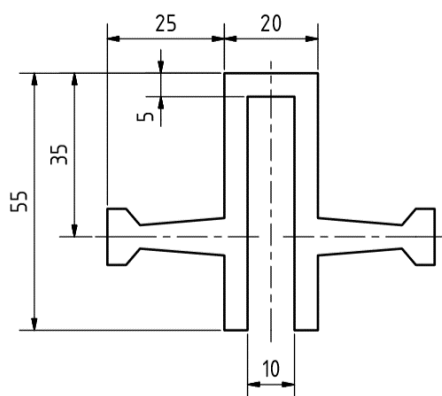
# Data sheet - series FAE



FAE 50



FAE 50/2



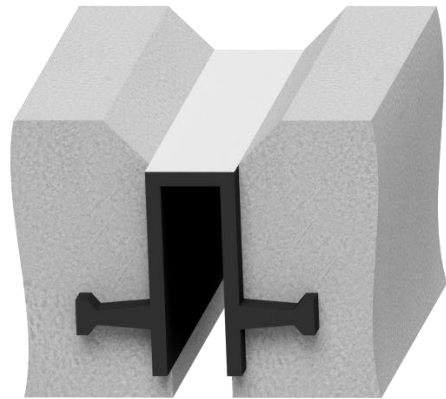
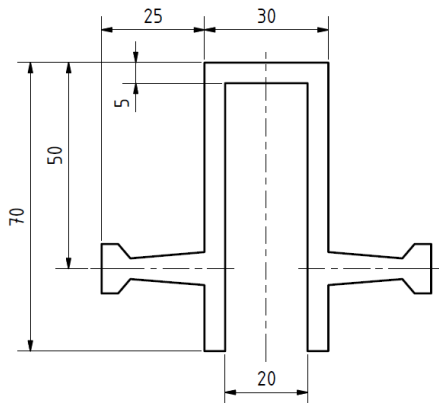
All dimensions in mm

- FAE 50 according to DIN 7865, part 1 and 2
- FAE 50/2 according to DIN 7865, part 2

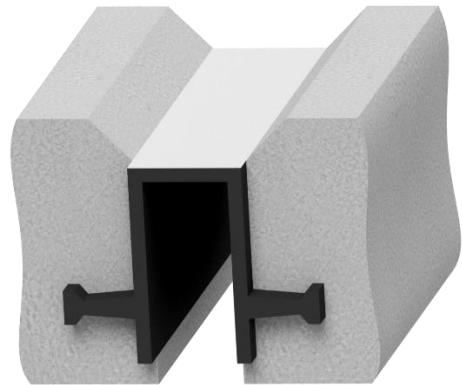
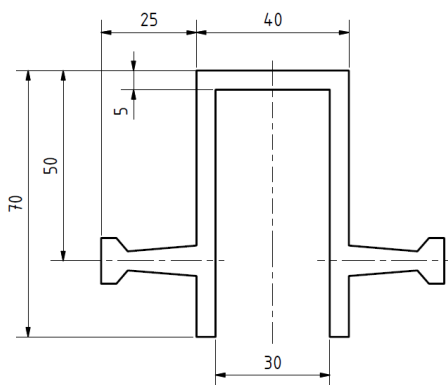
# Data sheet - series FAE



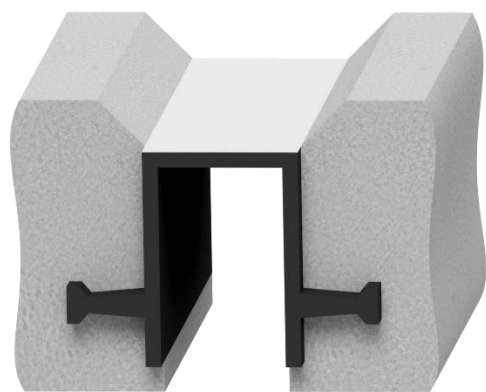
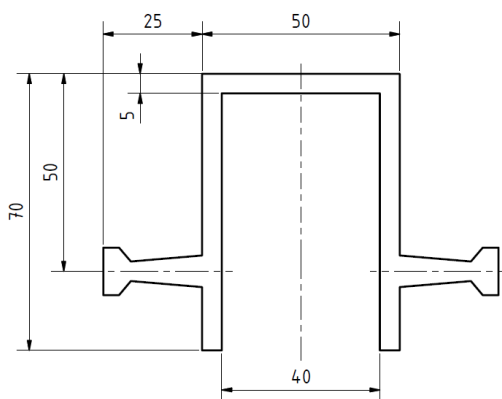
FAE 70



FAE 7/4



FAE 7/5



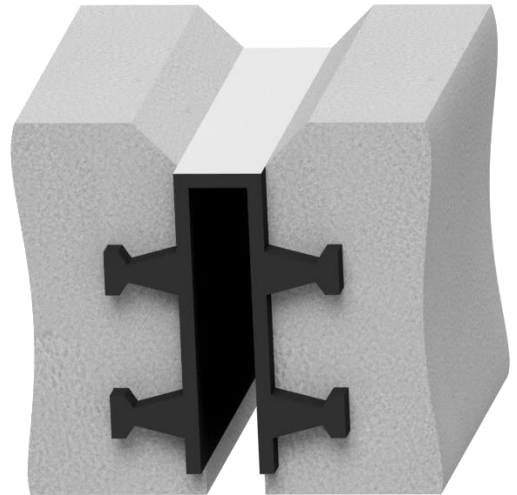
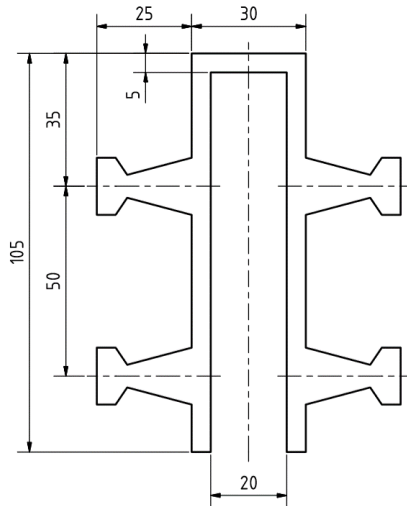
All dimensions in mm

- FAE 70 according to DIN 7865, part 1 and 2
- FAE 7/4 & FAE 7/5 according to DIN 7865, part 2

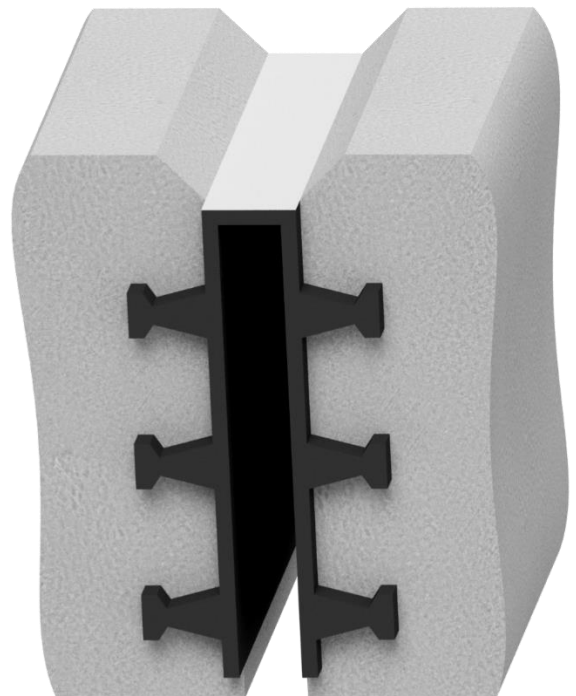
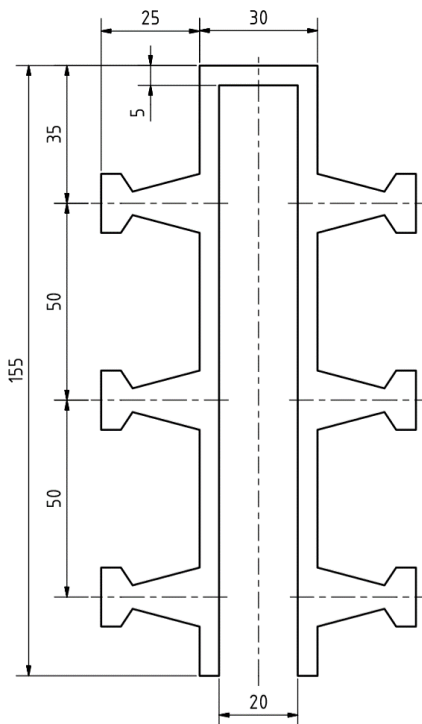
# Data sheet - series FAE



FAE 100



FAE 150



All dimensions in mm

- FAE 100 & FAE 150 according to DIN 7865, part 1 and 2