

# Data sheet - series HK



## **PRODUCT‘ SPECIFICATION**

SK H2O protec special joint profile type HK according to DIN 7865, part 2 is a permanently flexible profile made of elastomer, EPDM, providing protection against dirt and maintaining the function of expansion joints in waterproof concrete structures with large movements and high water pressures.

## **Characteristics / Advantages**

- high tensile strength and elongation at break
- high permanent flexibility and high-load bearing capacity
- suitable for water pressure and large settlements
- resistant to all natural media acting aggressively to concrete
- resistant to a wide range of chemical substances (tests required for each additional specific situation)
- resistant to bitumen
- supply of systems for easy handling on site
- vulcanizable by using butt joints on site

## **Application**

- joint sealing in concrete structures
- special joint sealing system for in-situ concrete

### Typical structures

- underground car parks, bridges, trough and bridge constructions
- rail tunnels and road tunnels
- water construction plants

# Data sheet - series HK



## **Standards / Directives**

- DIN 18197
- DIN 7865, part 2
- WU- Directives DAfStb
- ZTV-ING, Riz-Ing
- Vulcanizing instructions

## **Test certificate / Approvals**

- latest manufacturer's test certificate
- certificate of conformity - DIN 7865
- external monitoring by MPA NRW
- internal monitoring

## **PRODUCT DATA**

### **Material**

- EPDM elastomer (ethylene-propylene-diene monomer)

### **Colour**

- black with grey visible surface

### **Packaging**

- supplied as standard rolls (25 m)

# Data sheet - series HK



---

## MECHANICAL PROPERTIES

according to DIN 7865, part 2

---

<b>Shore A hardness</b>	$62 \pm 5$
-------------------------	------------

---

<b>Tear strength</b>	$\geq 10$ MPa
----------------------	---------------

---

<b>Elongation at break</b>	$\geq 380$ %
----------------------------	--------------

---

<b>Compression set</b>	168h / 23°C $\leq 20\%$ 24h / 70°C $\leq 35\%$
------------------------	---

---

<b>Tear propagation resistance</b>	$\geq 8$ kN/m
------------------------------------	---------------

---

<b>Performance after heat ageing</b>	Shore A hardness change $\leq 8$ Tear strength $\geq 9$ MPa Elongation at break $\geq 300\%$
--------------------------------------	--

---

<b>Low temperature performance</b>	$\leq 90$ Shore A
------------------------------------	-------------------

---

<b>Tension set</b>	$\leq 20\%$
--------------------	-------------

---

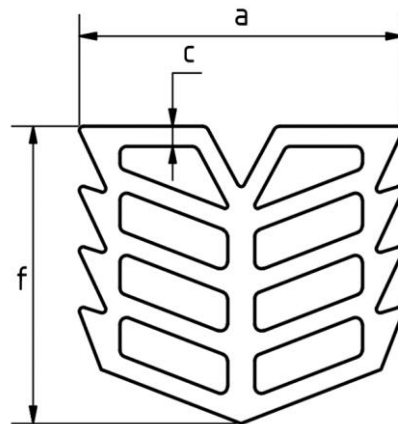
<b>Performance after conditioning in hot bitumen</b>	Residual deformation $< 20\%$ Tear strength $\geq 7$ MPa Elongation at break $\geq 300\%$
--	---

---

<b>Performance after ozone ageing</b>	No cracks
---------------------------------------	-----------

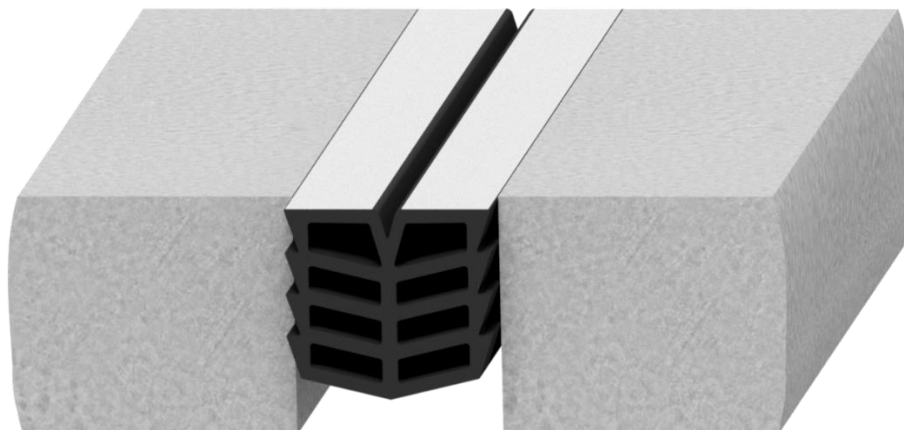
---

# Data sheet - series HK



Type	Dimension a	Dimension c	Dimension f	Joint width	Joint depth
HK 15	15	2	18	9 - 11	25
HK 18	18	2	20	12 - 14	25
HK 21	21	3	22	15 - 17	30
HK 24	24	3	22	18 - 21	30
HK 30	30	4	28	22 - 25	35
HK 40	40	4	30	26 - 30	45
HK 50	50	5	38	31 - 40	55
HK 60	60	5	48	41 - 50	65

All dimensions in mm



# Data sheet - series HK



## Butt joints

### Examples

